

Fig. 2—713BM Telephone Set, Modular Connections Using a 281A (MD) Adapter Part of the D-180819 Kit of Parts (MD) and Two Mounting Cords to Set (Sheet 1 of 2)

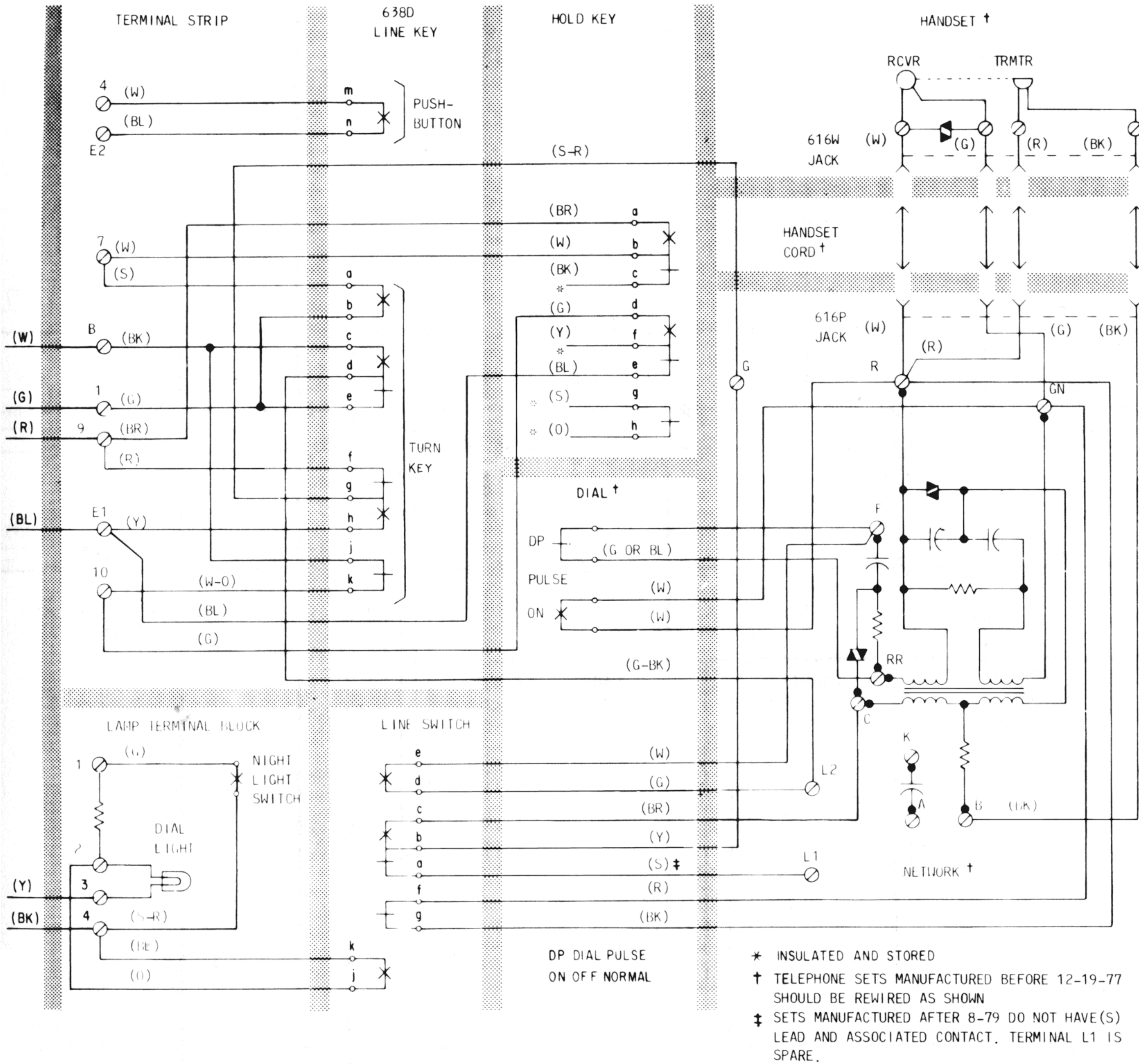


Fig. 2—713BM Telephone Set, Modular Connections using a 281A (MD) Adapter Part of the D-180819 Kit of Parts (MD) and two Mounting Cords to Set (Sheet 2 of 2)

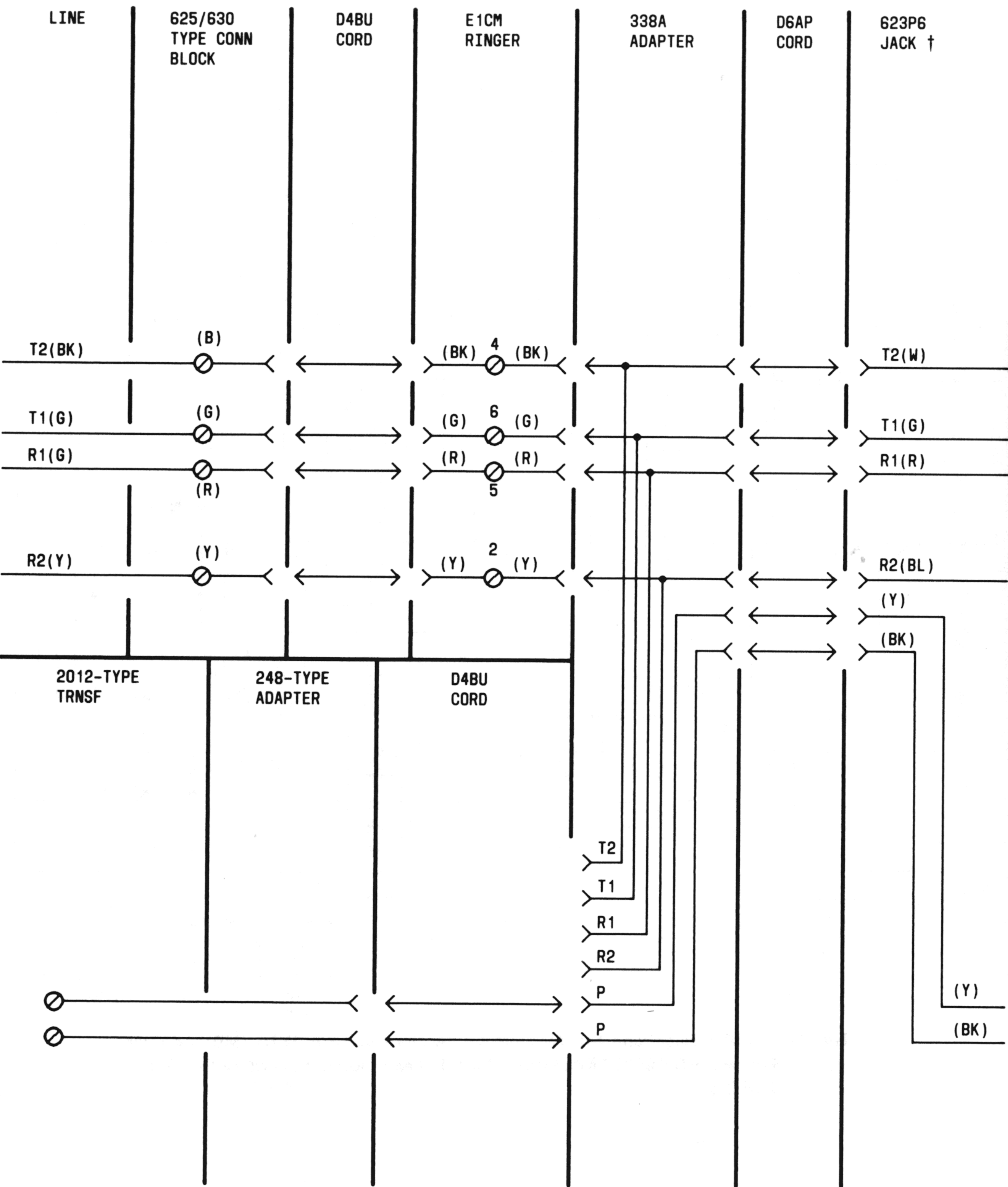


Fig. 3—713BM Telephone Set, Modular Connections Using a 338A Adapter Part of the D-181059 Kit of Parts (Sheet 1 of 2)

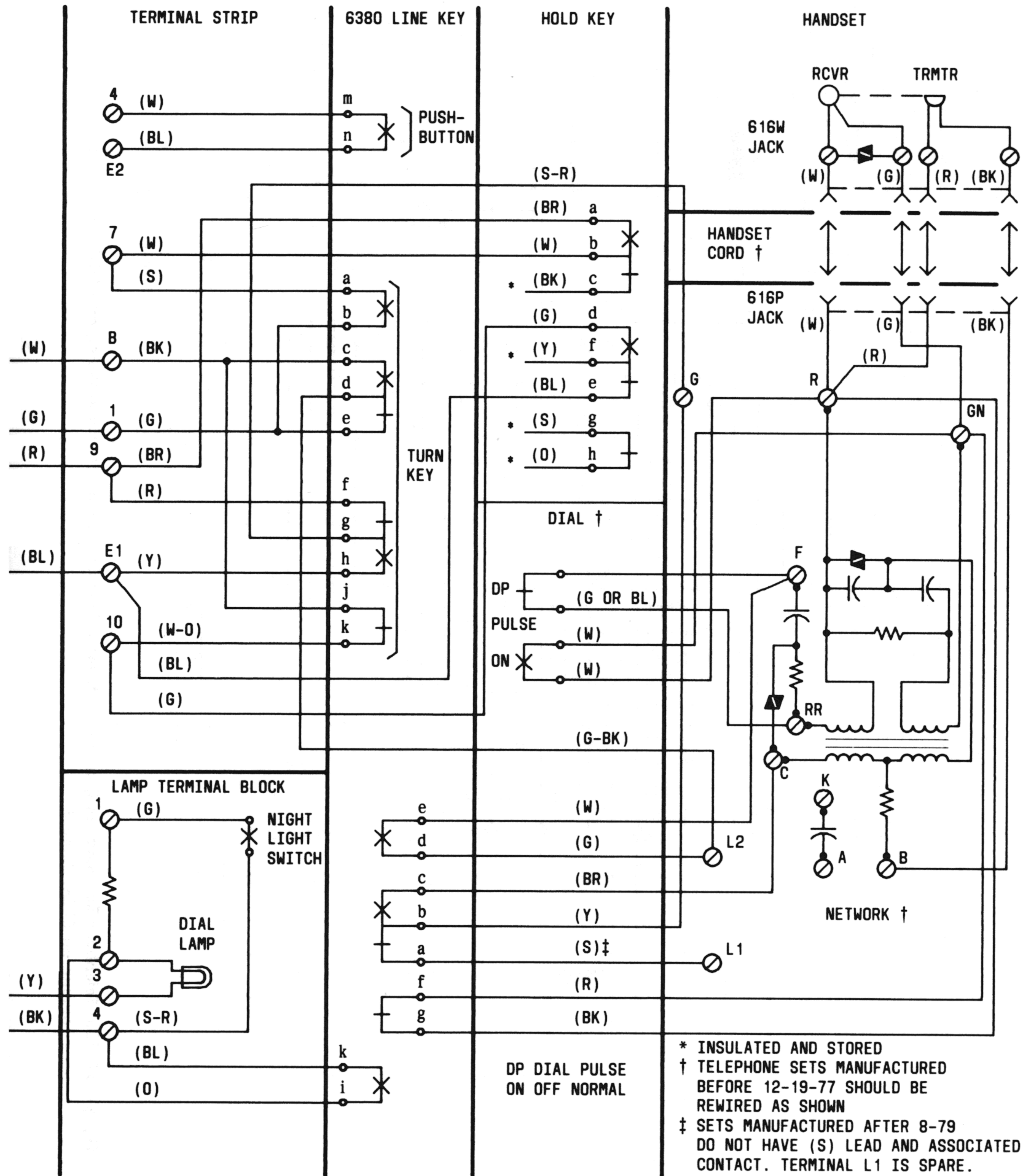


Fig. 3—713BM Telephone Set, Modular Connections Using a 338A Adapter Part of the D-181059 Kit of Parts (Sheet 2 of 2)

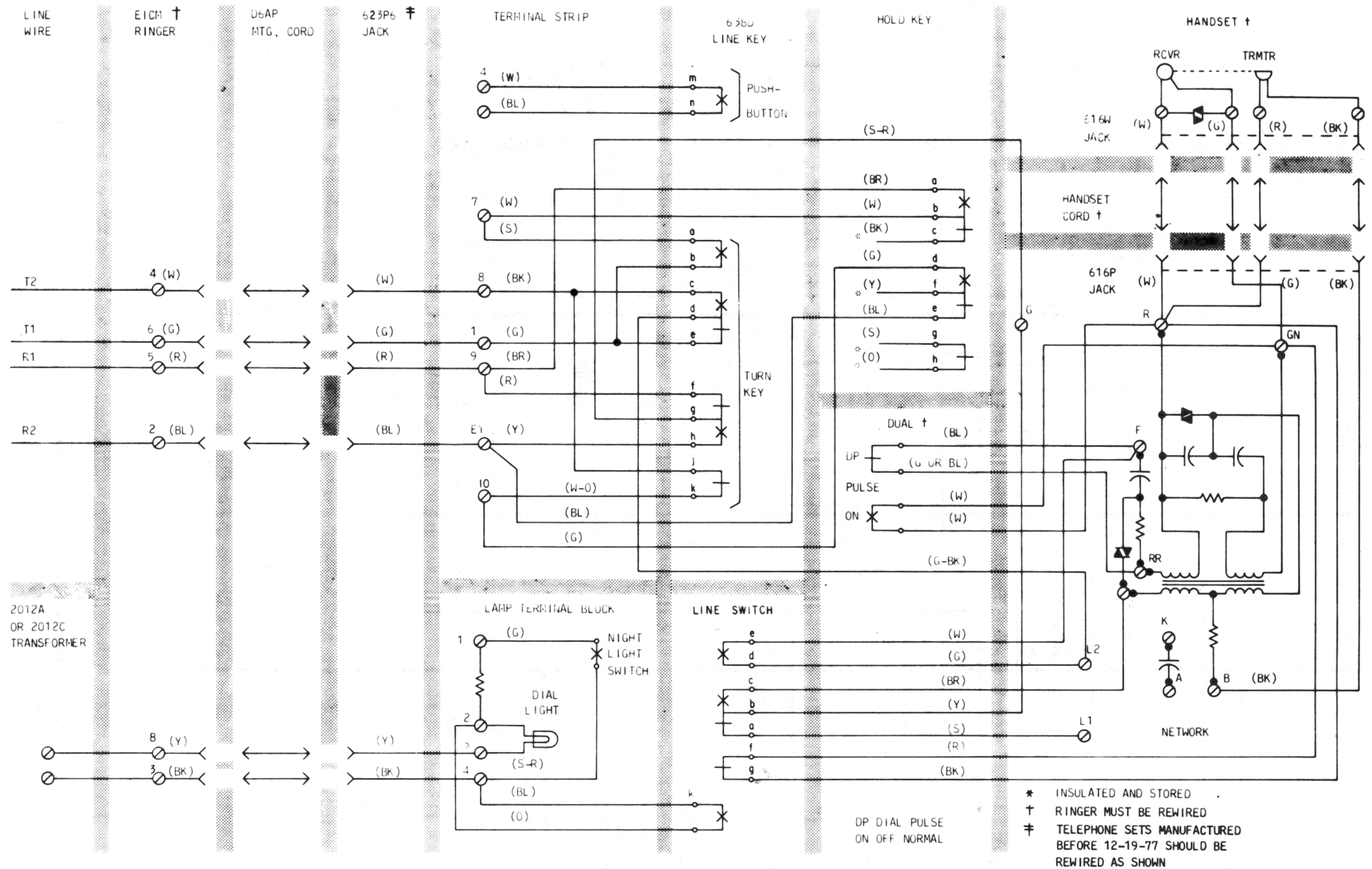


Fig. 4—713BM Telephone Set, Modular Connections Using a Combination of Both Hand Wiring and Modular Connections Through an E1CM Ringer